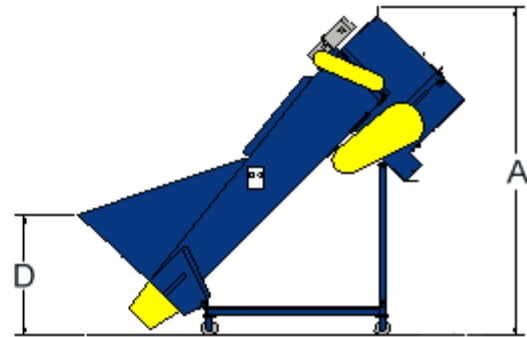
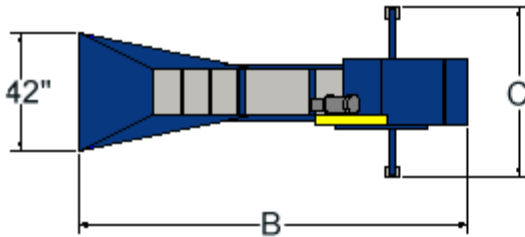


GLASS BREAKERS - GB SERIES

Complete crushing system. The rugged, unitized construction produces a machine that will withstand years of punishing use.

The GB series is a highly efficient machine incorporating many standard features that are only options of other manufacturers. To operate, simply load the glass containers into the low in-feed hopper and the conveyor automatically feeds the crusher. The rotating steel crushing drum and breaker-plate design produces a uniform cullet size acceptable to the recycling industry. Features such as the self-cleaning tail pulley and enclosed conveyor belt make the GB a durable and low maintenance machine.

Choose a model with capacity up to 12,000 pounds per hour and the GB series will help you maximize shipping weights while being economical to operate. We make the GB series affordable and dependable by utilizing many common components.



FEATURES

- All steel unitized construction for durability
- Self-cleaning tail-pulley for extended belt life
- Enclosed belt-return to minimize glass spillage
- Variable cullet size and density
- Heavy duty conveyor belt with alloy steel lacing

SPECIFICATIONS

- 1 HP or 2 HP TEFC motor (depending on model)
- 3/4 HP TEFC conveyor motor
- PVC 200 conveyor with 1-1/2" cleats & Flexco 125 lacing
- 48" discharge height
- Crushing mechanism consisting of a rotating steel drum with hardened bars and a 3/4" thick steel breaker plate
- Heavy duty 3/16" steel crushing chamber
- Gear-reduced chain-drive conveyor
- 6" industrial steel casters
- External tail-pulley adjustment

	GB-1	GB-2	GB-3
Height (A)	9' 11"	10'	9' 5"
Length (B)	11' 8"	11' 8"	11' 10"
Width (C)	59"	59"	67"
Loading Height (D)	37"	44"	44"
Hopper Size (cu. yd.)	1/3	2/3	7/8
Hopper Width	42"	59"	67"
Capacity (lbs/hr) up to	8,000	12,000	16,000
Crusher Motor	1 HP	2 HP	3 HP
Discharge Height	48"	48"	48"
Density (lbs/cu. ft.)	80	80	80

Due to continual product improvement Compactors Inc. reserves the right to change specifications without notice. The information and pictures used in the document are for illustrative purposes only.