

## VERTICAL BALER MODEL X30 HD

The X30 HD baler is a compact low-profile machine with a high capacity. The superior press force and extra wide feed opening make it ideal for numerous types of waste.

- Compacts heavy-duty materials
- Perfect for most bulky waste
- Retainer dogs keep material compressed in chamber
- Maximum compaction of waste

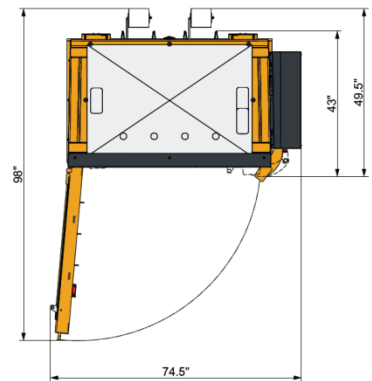
## FEATURES

### HANDLES IRREGULARLY SHAPED BOXES

The wide feed opening is perfect for irregularly shaped materials that are space consuming, like large cardboard boxes.

### MULTI-FUNCTIONAL BALER

The X30 HD is a multi-functional baler suited for a variety of different materials including cans, bottles, jugs, big bags, and expandable plastics.



## SPECIFICATIONS

**Bale Weight Cardboard (lbs):** 600-775

**Bale Weight Plastic Foil (lbs):** 775-1,000

**Bale Size WxDxH (inches):** 48 x 30 x 48

**Power Supply:** 208/230/480V 3-Phase 60 Hz

**Motor (HP):** 5.5

**Noise Level (dB):** 59-60

**Cycle Time Average (seconds):** 25

**Press Force:** 66,200 lbs

**Dimensions WxDxH (inches):** 69 x 50 x 91

**Machine Weight (lbs):** 3,800

**Feed Opening WxH (inches):** 43 x 26

**Full Bale Light:** Yes

**Bale Eject:** Automatic

**Stroke (inches):** 37

**Number of Ties:** 4

**Type of Tying:** Twine/Steel Wire

Due to continual product improvement Compactors Inc. reserves the right to change specifications without notice. The information and pictures used in the document are for illustrative purposes only.