

## HYBRID SHREDDERS SERIES

### THE MOST VERSATILE SHREDDERS IN THE INDUSTRY

Fueling technology with innovation for today and beyond. CM Shredders has long been at the forefront of game-changing innovations. CM shredders utilize cutting-edge, patented knife technology to become the most durable, reliable and advanced shredders in the recycling systems industry.

**New Patented Knife Systems** – Knife inserts that are made from through hardened tool steel that can easily be replaced and reground for multiple uses.

**CM Secure Lock** – Advanced knife group locking system to secure the knife group allows the CM HYBRID shredder to hold the closest knife to knife tolerances for clean efficient cutting throughout the life of the knives.

**Advanced Bearing Protection** – Bearings are located outside of the work area and special bearing protectors are located between the work area and bearings eliminating contamination.



## APPLICATIONS

### MODELS MOST OFTEN SOLD FOR THIS APPLICATION

MODEL #	H-10	H-25	H-50	H-75	H-150	H-250	H-250L
MACHINE TURNINGS	X	X					
PAPER	X	X	X				
COSMETICS	X	X	X				
PHARMACEUTICAL	X	X	X				
GLASS	X	X	X				
PLASTICS	X	X	X	X			
ALUMINUM CANS	X	X	X	X			
HOSPITAL WASTE	X	X	X	X			
ELECTRONIC WASTE	X	X	X	X			
PERIODICALS		X		X	X		
GENERAL REFUSE				X	X	X	X
WOOD PALLETS					X	X	X
CAR TIRES					X	X	X
TRUCK TIRES						X	X

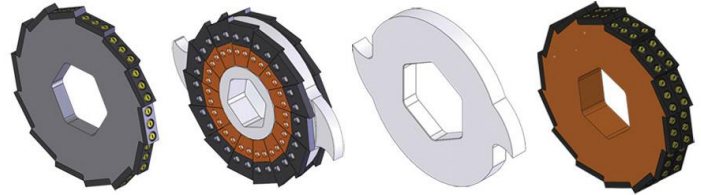
Due to continual product improvement Compactors Inc. reserves the right to change specifications without notice. The information and pictures used in the document are for illustrative purposes only.

# HYBRID SHREDDERS SERIES

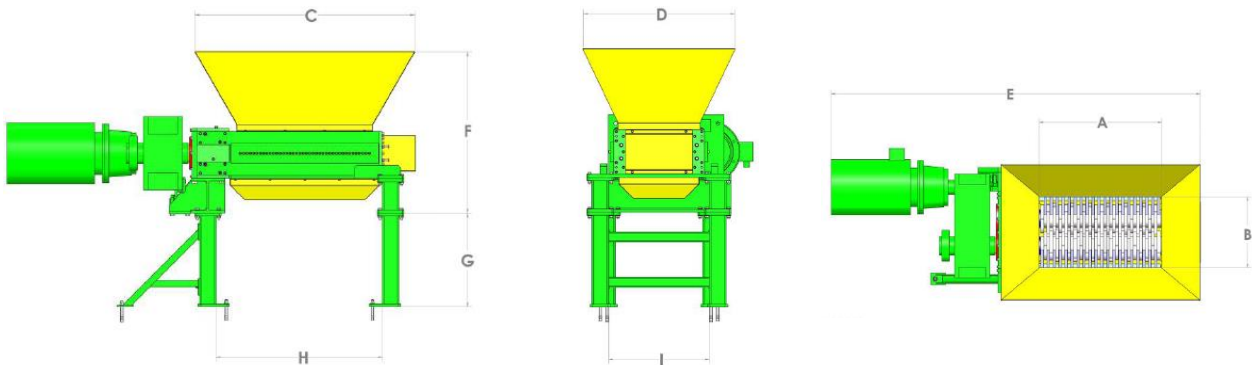
THE MOST VERSATILE SHREDDERS IN THE INDUSTRY

## FEATURES & BENEFITS

- Multiple Knife Configurations
- CM Patented Replaceable Knife Inserts
- One Piece Traditional Knives
- Combination Hook and Replaceable Knives
- Hexagonal Shafts
- Sealed Gearbox with Oil Splash Lubrication
- Tapered Roller Bearings
- Low Speed—High Torque
- Overload Protection with Auto Reverse & Shutdown
- PLC Controlled & Monitored with HMI
- Low Wear • Low Noise • Low Dust
- Low Heat • Low Vibration • High Precision



**Improved knife materials cut better and last longer**  
**Resharpenable/reusable knives for multiple uses**  
**Reduces knife cost and downtime**



## SPECIFICATIONS

MODEL #	H-10	H-25	H-50	H-75	H-150	H-250	H-250L
A	19	30	41	46	50	76	63
B	16	21	24	27	33	46	63
C	35	52	66	77	84	113	74
D	30	40	45	53	61	78	67
E	64	96	124	139	158	204	190
F	N/A	N/A	49	58	69	83	N/A
G	N/A	N/A	42	44	44	58	N/A
H	50	41	50	59	60	97	106
I	31	50	30	43	50	70	68

Due to continual product improvement Compactors Inc. reserves the right to change specifications without notice.  
The information and pictures used in the document are for illustrative purposes only.