

ROURA – BOTTOM DROP BOX

Roura Material Handling is proud to introduce the Bottom Drop Box. Built with the attention to detail that every Roura product has, the Bottom Drop Box is no exception. From our in-house designed handle system and heavy-duty construction, this Bottom Drop Box is built for the toughest of jobs. By utilizing the bottom as the dumping point, we are able to maximize the size of the box and keep the footprint small. Roura's Bottom Drop Box container is a safe and efficient way of handling your scrap, waste and every day materials.



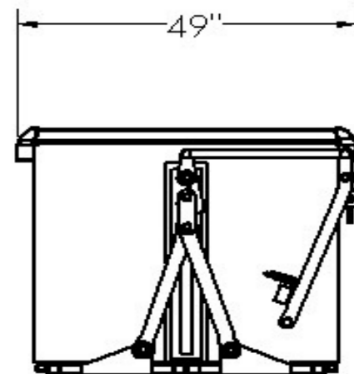
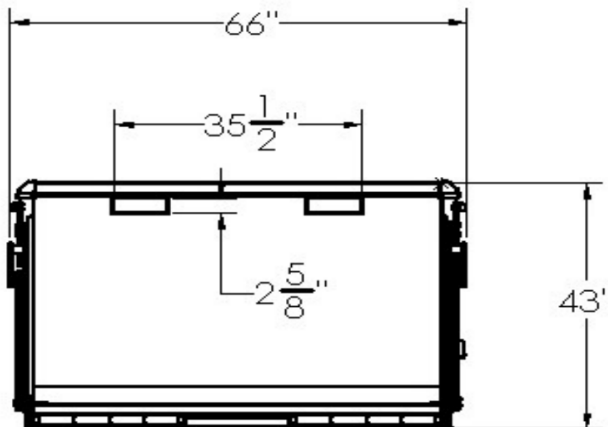
FEATURES

- Empties the content inside of your container from the bottom of the box.
- Roura's exclusive retractable release system.
- Up to 6000 LBS load capacity
- 7 gauge thickness
- 100% welded bodies
- Retractable handle release system
- Roura green paint standard color (optional colors available)



SPECIFICATIONS

MODEL	VOLUME	LENGTH	WIDTH	HEIGHT	OPEN HEIGHT	WEIGHT	LOAD CAPACITY
BDB-540	2 Cubic Yards	66"	49"	43"	60"	1087 lbs	6000 lbs



Due to continual product improvement Compactors Inc. reserves the right to change specifications without notice. The information and pictures used in the document are for illustrative purposes only.